

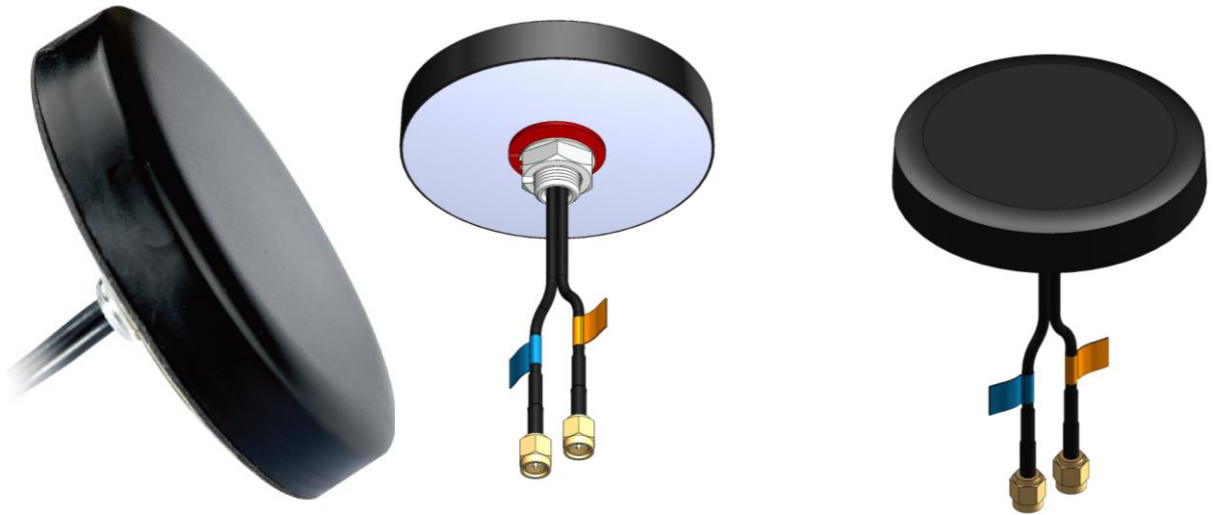


TOP ELECTRONIC INDUSTRY CO., LTD.

www.topecind.com

GPS+GSM Combination Antenna

TOP-GSM/GPS03



TOP ELECTRONIC INDUSTRY CO.,LTD

Rm407 27th Bldg,Nanhua Zone,Huaqianganan,Futian Dist,SZ,GD,China

Tel:+86-755-8281 5110

Fax:+86-755-8281 5220

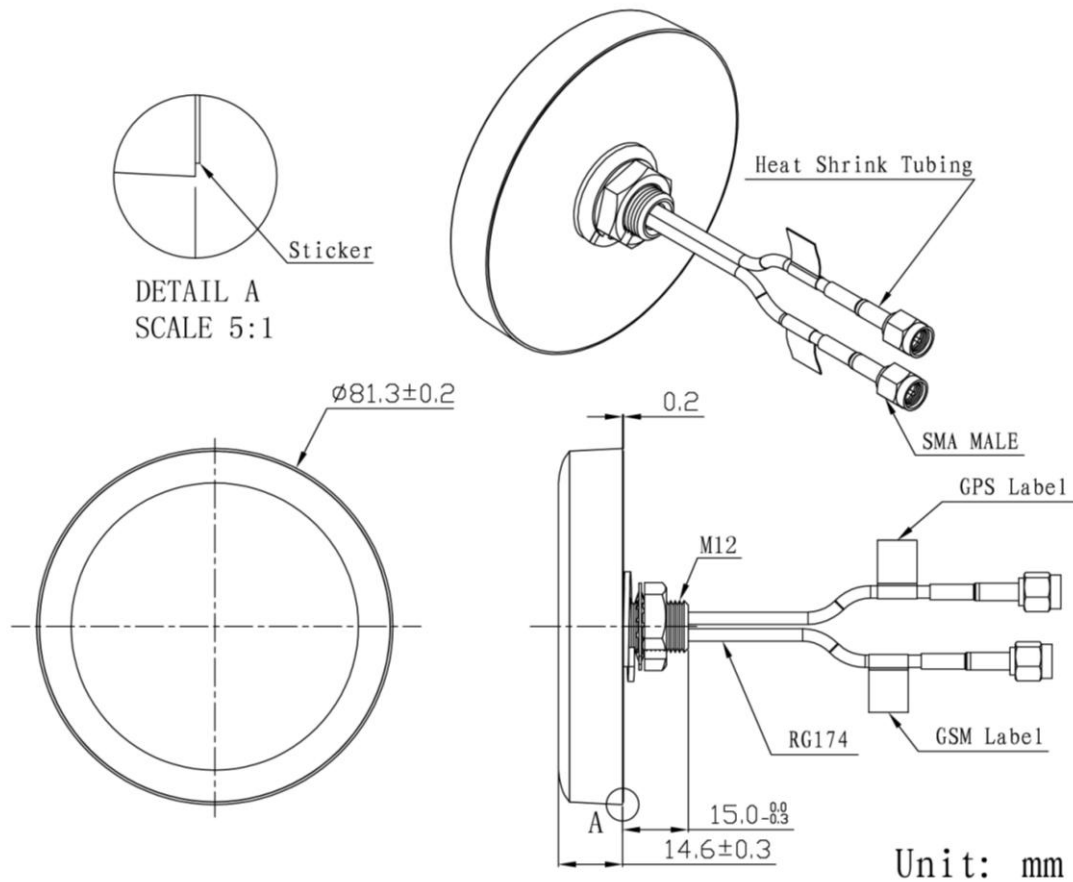
Web: www.topecind.com



TOP ELECTRONIC INDUSTRY CO., LTD.

www.topecind.com

DIMENSIONS



SPECIFICATIONS

Item		Specifications	
GPS Antenna	Dielectric Antenna	Center Frequency	1575.42 ± 1MHz
		Band Width	CF ± 5MHz
		Polarization	RHCP
		Gain	2dBic (Zenith)
		V.S.W.R	< 1.5
		Impedance	50Ω
		Axial Ratio	3dB (max)
	LNA	Gain	28 ± 2dB
		Noise Figure	< 1.5
		Ex-band Attenuation	12dB @ CF + 50MHz / 16dB @ CF - 50MHz
	V.S.W.R	< 2.0	

TOP ELECTRONIC INDUSTRY CO., LTD

Rm407 27th Bldg, Nanhua Zone, Huaqiangnan, Futian Dist, SZ, GD, China

Tel: +86-755-8281 5110

Fax: +86-755-8281 5220

Web: www.topecind.com



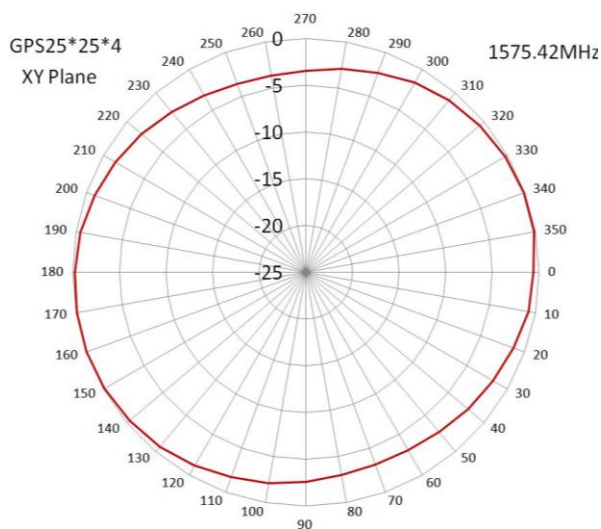
TOP ELECTRONIC INDUSTRY CO., LTD.

www.topelecind.com

		Supply Voltage	2.2~5V DC
		Current Consumption	5~15mA
GSM Antenna		Frequency Range	824~960MHz/1710~2170MHz
		V.S.W.R	<2.5
		Polarization	Linear
		Gain	2dBi
		Impedance	50Ω
Mechanical		Cable	RG174--4M
		Connector	SMA
		Radome Material	ABS
		Mounting Method	Screw
Environmental		Operating Temperature	-40℃~+85℃
		Relative Humidity	Up to 95%
		Ingress Protection	IP65~IP67 (exclude cable outlet)
		Vibration	10 to 55Hz with 1.5mm amplitude 2hours
		Environmentally Friendly	ROHS Compliant

Radiation Pattern

GPS Antenna



TOP ELECTRONIC INDUSTRY CO.,LTD

Rm407 27th Bldg,Nanhua Zone,Huaqiangnan,Futian Dist,SZ,GD,China

Tel:+86-755-8281 5110

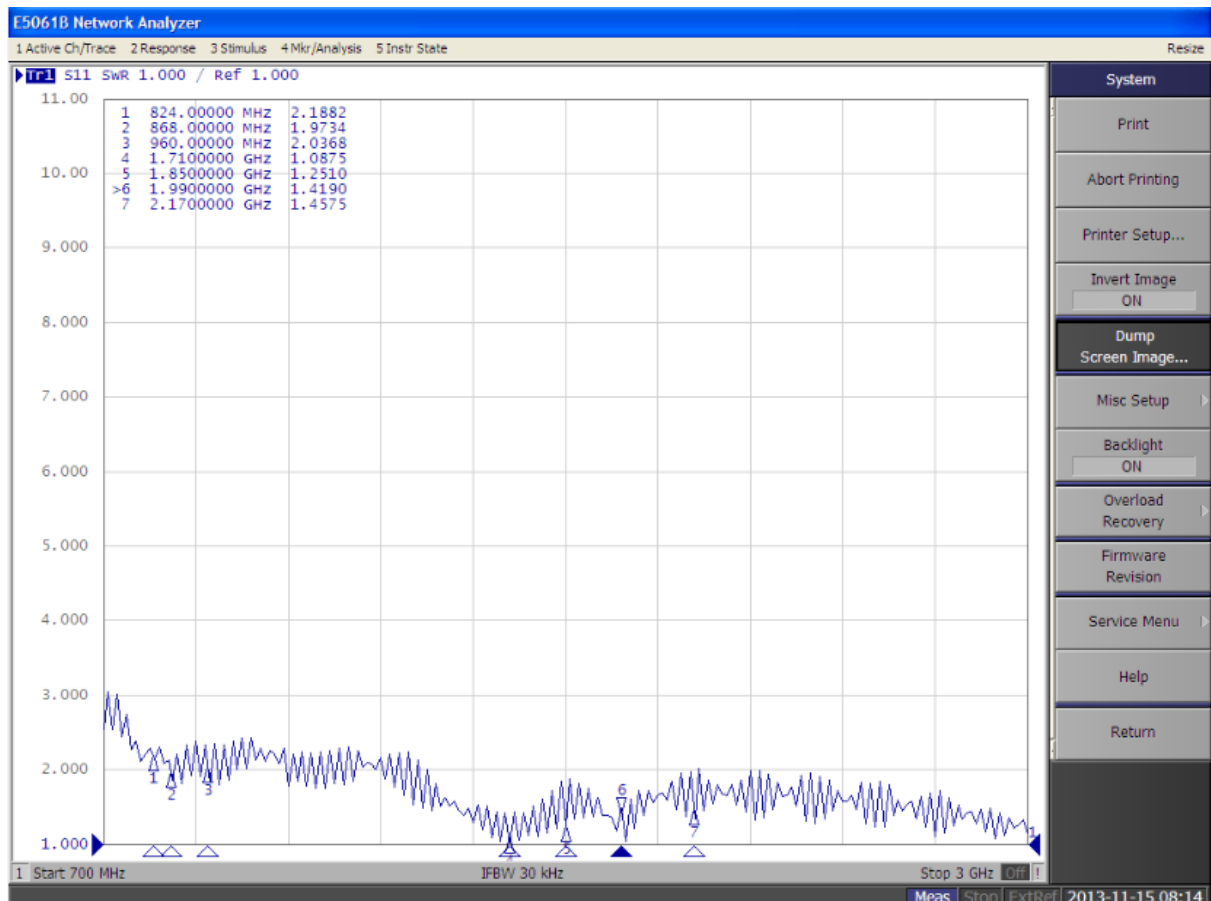
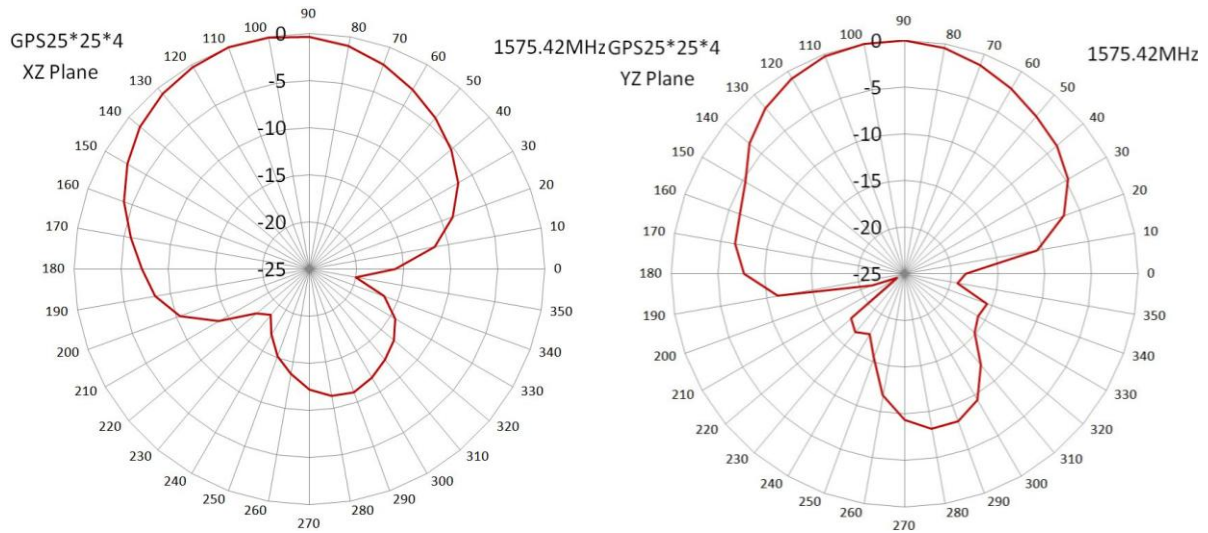
Fax:+86-755-8281 5220

Web: www.topelecind.com



TOP ELECTRONIC INDUSTRY CO., LTD.

www.topelecind.com



TOP ELECTRONIC INDUSTRY CO.,LTD

Rm407 27th Bldg,Nanhua Zone,Huaqiangnan,Futian Dist,SZ,GD,China

Tel:+86-755-8281 5110

Fax:+86-755-8281 5220

Web: www.topelecind.com